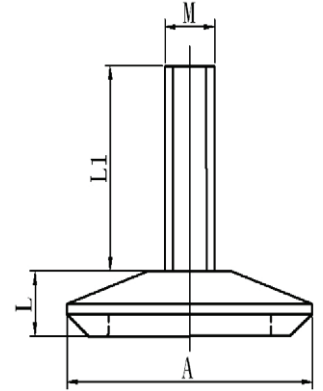


Fixed Feet

- The base is made from Nylon reinforced with fibre glass.
- Threads available in Zinc
- Cost Effective Solution

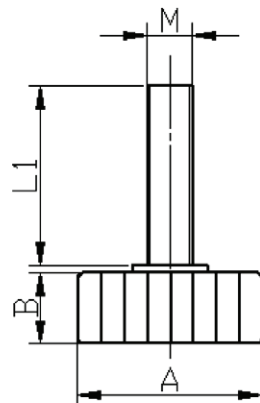


CGFTB Series

PART NO.	A	M	L1	L	Max Static Vertical Load
	Base Diameter	Thread Diameter Zinc	Thread Length	Height of Nylon Base	
CGFTB40850	40	8 X 1.25	50	13	100KG
CGFTB501050	50	10 X 1.5	50	13	150KG
CGFTB601250	60	12 X 1.75	50	13	200KG

CGLPS Series

PART NO.	A	M	L1	B	Max Static Vertical Load
	Base Diameter	Thread Diameter Zinc	Thread Length	Height of Nylon Base	
CGLPS38850	38	8 X 1.25	50	10	200KG
CGLPS501050	50	10 X 1.5	50	10	250KG
CGLPS631250	63	12 X 1.75	50	10	250KG



Custom lengths available on request