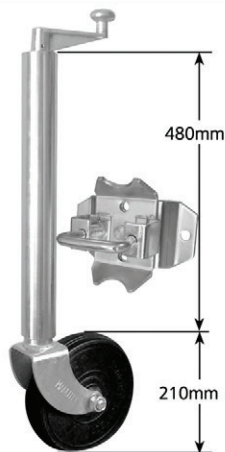


JOCKEY WHEELS

JW6

Heavy Duty Swivel Jockey Wheel with heavy duty pin locking swivel bracket
SUPPLIED LOOSE

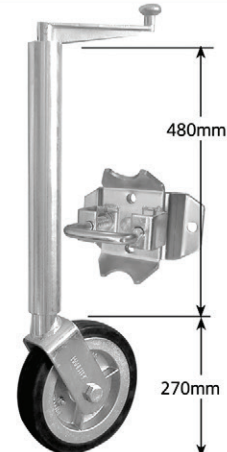
Wheel: 200mm x 50mm (8" x 2") Solid rubber with steel web bore.
Lift: 225mm
Unit Weight: 14.3kg
Static Load Capacity: 750kg



JW8

Extra Heavy Duty Swivel Jockey Wheel with heavy duty pin locking swivel bracket
SUPPLIED LOOSE

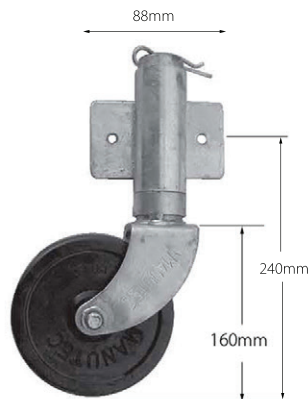
Wheel: 250mm x 50mm (10" x 2") Solid rubber tyre with aluminium centre -plain bore
Lift: 225mm
Unit Weight: 16.6kg
Static Load Capacity: 1250kg



BW1G

Boat Wheel (bolt-on/weld-on)
Galvanised

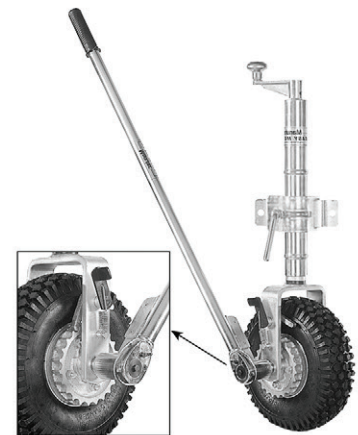
Wheel: 150mm x 50mm (6" x 2") Solid rubber with nylon web bore.
Unit Weight: 2.9kg
Static Load Capacity: 500kg



EM1

EASYMOVER Ratched Driven Pneumatic Jockey Wheel Incl. Clamp

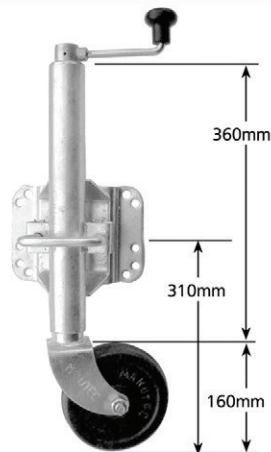
Wheel: 4.10/3.50 x 4
Lift: 225mm
Unit Weight: 12.6kg
Static Load Capacity: 350kg



JW2UBG

Standard Swivel Jockey Wheel with pin locking swivel bracket welded in position.
For fixing with U-Bolts (suits 2", 3", 4", 5", & 6" U-Bolts)

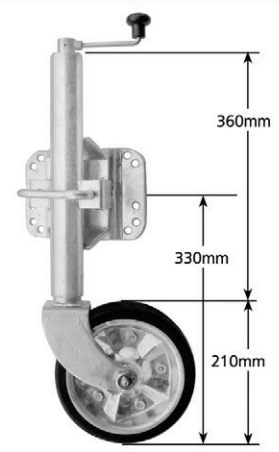
Galvanised
Wheel: 150mm x 50mm (6" x 2") Solid rubber with nylon web bore
Lift: 225mm
Unit Weight: 6.8kg
Static Load Capacity: 500kg



JW4UBG

Medium Swivel Jockey Wheel with pin locking swivel bracket welded in position.
For fixing with U-Bolts (suits 2", 3", 4", 5" & 6" U-Bolts)

Galvanised
Wheel: 200mm x 55mm (8" x 2") Rubber tyre with galvanised steel centre and roller bearings
Lift: 225mm
Unit Weight: 8.8kg
Static Load Capacity: 700kg



JW1505013-SW

6" (150mm) Solid Rubber Wheel with 13mm steel web bore



Also available 8" (200mm) with 16mm steel web bore:
JW2005016-SW

JW20055162C

8" (200mm) Rubber Tyre, Zinc Steel Centre with 16mm roller bearing

