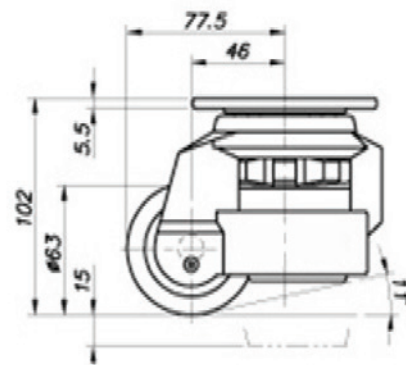
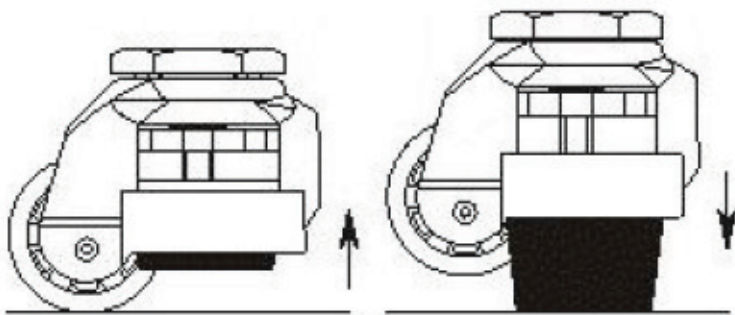
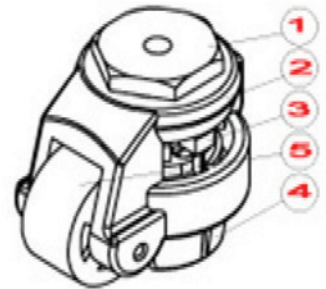
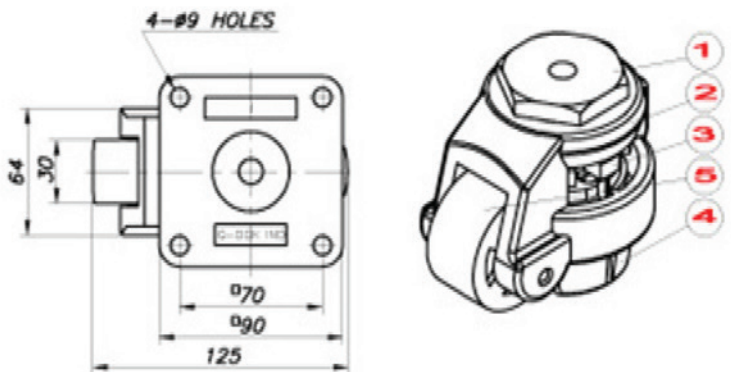


CG LEVELLING CASTOR

Capacity: 500KG per castor



The CG Levelling castor is suitable for many industrial applications. When your application is in place you can unwind the screw and the castor lifts off the ground and the polyurethane pad sits on the ground making the application stable.



CODE	WHEEL DIAMETER	PLATE	HOLE CENTRES	HEIGHT	RETRACTED HEIGHT	LOAD CAPACITY
CGGD-80F	60mm	90mm x 90mm	70mm x 70mm	102mm	113mm	500KG