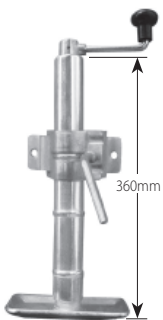


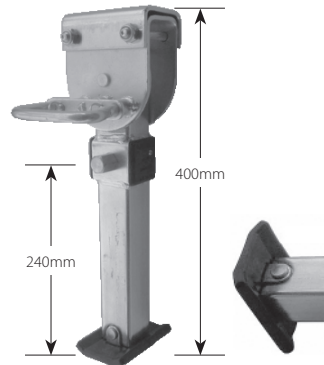
# ADJ STANDS TOP WIND - ADJ LEGS



## AS14

Standard  
Adjustable Stand  
Including clamp

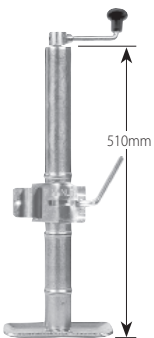
Lift	225mm
Unit Weight	4.7kg
Static Load Capacity	650kg
Ridge Spacing	82mm



## ALQR1

Adjustable Leg  
Weld-on

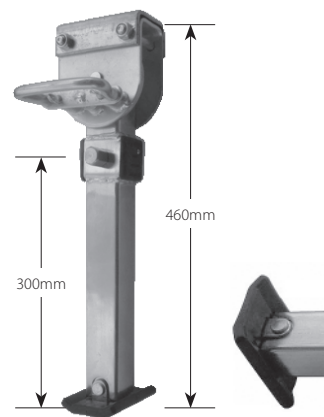
Lift	120mm
Height	400mm
Unit Weight	4.7kg
Finish	Zinc



## AS20

Standard  
Adjustable Stand  
Including clamp

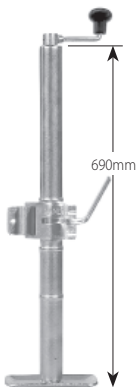
Lift	225mm
Unit Weight	5.5kg
Static Load Capacity	650kg
Ridge Spacing	82mm



## ALQR2

Adjustable Leg  
Weld-on

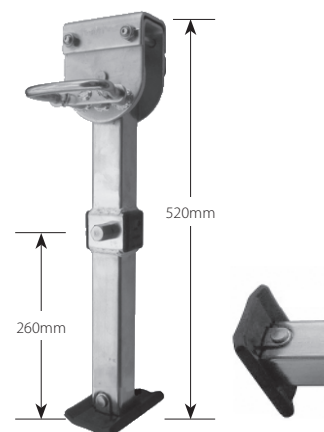
Lift	180mm
Height	460mm
Unit Weight	5.1kg
Finish	Zinc



## AS27

Standard  
Adjustable Stand  
Including clamp

Lift	225mm
Unit Weight	6.5kg
Static Load Capacity	650kg
Ridge Spacing	82mm



## ALQR3

Adjustable Leg  
Weld-on

Lift	140mm
Height	520mm
Unit Weight	5.7kg
Finish	Zinc



## CLAMP

Bolt-on/Weld-on Clamp

To suit standard and medium range of jockey wheel and stands

Suit Outer Tube	standard 48mm OD
Unit Weight	1kg
Dimensions	165mm (w) x 70mm (h)
Hole Size	12.5mm
Hole Centres	135mm

## M Series Handles - LH2M

Hex-head type - 19mm

Product Code	Length	Weight	Features
LH2M	700mm	840g	19mm Hex-Head

