


Heavy Industrial CGEHQ SERIES Blue Rubber on Nylon Centre

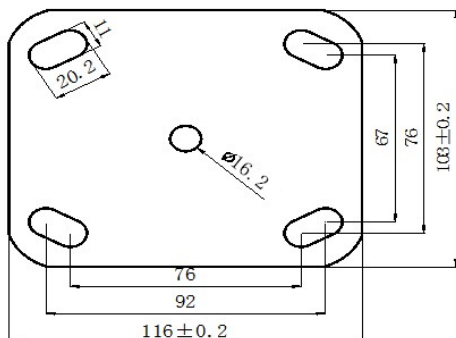
100mm, 125mm, 150mm, 200mm

Capacity: 180 – 350KG per castor



- Double Ball Bearing Centres
- Blue Rubber on Nylon Centre
- Robust Metal Total Brake
- Applications for all industries : Transport, Food & Engineering Industries, Warehousing and many other applications

TYPE	CODE	WHEEL DIAMETER (MM)	TYRE WIDTH	WHEEL TYPE	BEARING TYPE	SWIVEL RADIUS MM	CAPACITY	HEIGHT (MM)
SWIVEL	CGEHBRQ100S	100	50	 Blue Rubber	BALL	81	180	144
SWIVEL / BRAKE	CGEHBRQ100STB	100	50		BALL	129	180	144
FIXED	CGEHBRQ100F	100	50		BALL	81	180	144
SWIVEL	CGEHBRQ125S	125	50		BALL	96	220	165
SWIVEL / BRAKE	CGEHBRQ125STB	125	50		BALL	129	220	165
FIXED	CGEHBRQ125F	125	50		BALL	96	220	165
SWIVEL	CGEHBRQ150S	150	50		BALL	115	300	191
SWIVEL / BRAKE	CGEHBRQ150STB	150	50		BALL	141	300	191
FIXED	CGEHBRQ150F	150	50		BALL	115	300	191
SWIVEL	CGEHBRQ200S	200	50		BALL	150	350	242
SWIVEL / BRAKE	CGEHBRQ200STB	200	50		BALL	150	350	242
FIXED	CGEHBRQ200F	200	50		BALL	150	350	242



- Spare weldable plates available (CG Platena)