


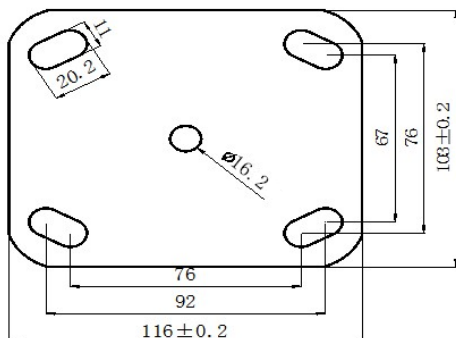
Heavy Industrial CGEHQ SERIES Blue Rubber on Nylon Centre

100mm, 125mm, 150mm, 200mm

Capacity: 180 – 350KG per castor

- Double Ball Bearing Centres
- Blue Rubber on Nylon Centre
- Robust Metal Total Brake
- Applications for all industries : Transport, Food & Engineering Industries, Warehousing and many other applications

TYPE	CODE	WHEEL DIAMETER (MM)	TYRE WIDTH	WHEEL TYPE	BEARING TYPE	SWIVEL RADIUS MM	CAPACITY	HEIGHT (MM)	PRICE (INCL GST)
SWIVEL	WCGEHBRQ100S	100	50	 Blue Rubber	BALL	81	180	144	\$37.40 ea
SWIVEL / BRAKE	WCGEHBRQ100STB	100	50		BALL	129	180	144	\$47.30 ea
FIXED	WCGEHBRQ100F	100	50		BALL	81	180	144	\$34.10 ea
SWIVEL	WCGEHBRQ125S	125	50		BALL	96	220	165	\$40.70 ea
SWIVEL / BRAKE	WCGEHBRQ125STB	125	50		BALL	129	220	165	\$49.50 ea
FIXED	WCGEHBRQ125F	125	50		BALL	96	220	165	\$36.30 ea
SWIVEL	WCGEHBRQ150S	150	50		BALL	115	300	191	\$46.20 ea
SWIVEL / BRAKE	WCGEHBRQ150STB	150	50		BALL	141	300	191	\$61.60 ea
FIXED	WCGEHBRQ150F	150	50		BALL	115	300	191	\$42.90 ea
SWIVEL	WCGEHBRQ200S	200	50		BALL	150	350	242	\$60.50 ea
SWIVEL / BRAKE	WCGEHBRQ200STB	200	50		BALL	150	350	242	\$73.70 ea
FIXED	WCGEHBRQ200F	200	50		BALL	150	350	242	\$48.40 ea



- Spare weldable plates available (CG Platena)